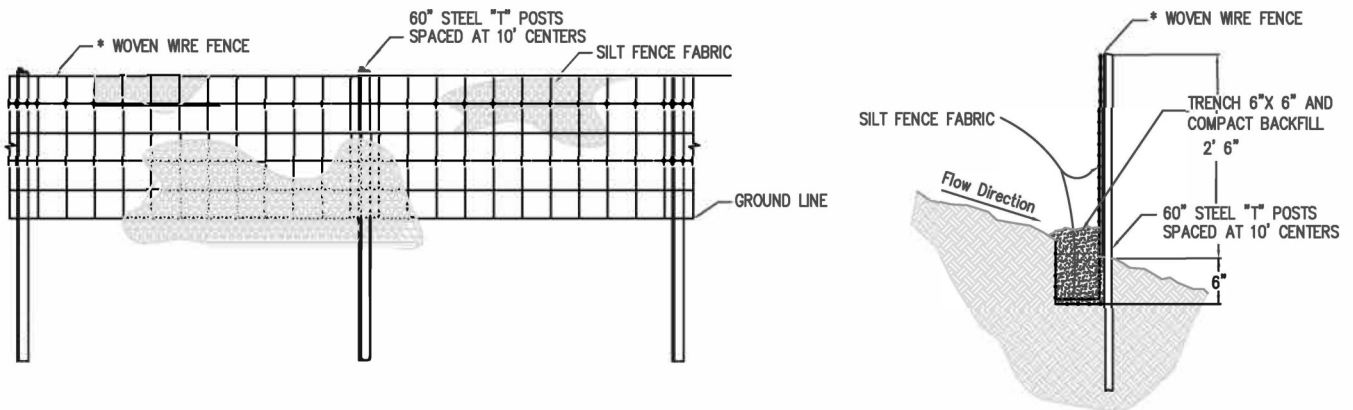


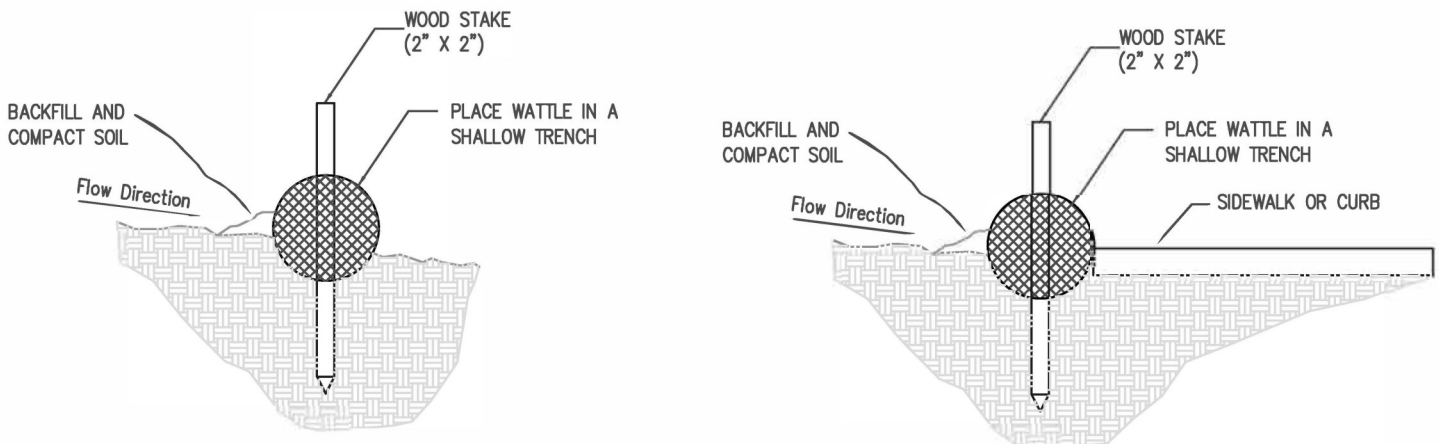
Silt Fence Installation



SILT FENCE INSTALLATION:

1. Dig a 6" x 6" trench.
2. Place posts into ground with fabric on upstream side of post, place fabric in trench.
3. Use excavated soil to backfill trench.
4. Woven wire fence shall be fastened to posts using wire ties on 24" centers, top, and middle.
5. When connecting two section of fabric overlap a minimum of 6'.
6. Maintenance shall be performed as needed and material shall be removed when 1/3 of the exposed fabric is covered.

Wattle Installation



WATTLE INSTALLATION:

1. Extend end of wattles far enough to prevent runoff from flowing around the ends of the barrier.
2. Tightly abut wattle ends to prevent gaps.
3. Spacing between stakes (4'-0" MAX.)

CREATED:	
Nov. 2009	
SCALE:	
Not to Scale	
DRAWN BY:	
Andy Harter	
REVISIONS	BY

City of Lexington
Sediment Control Detail

